

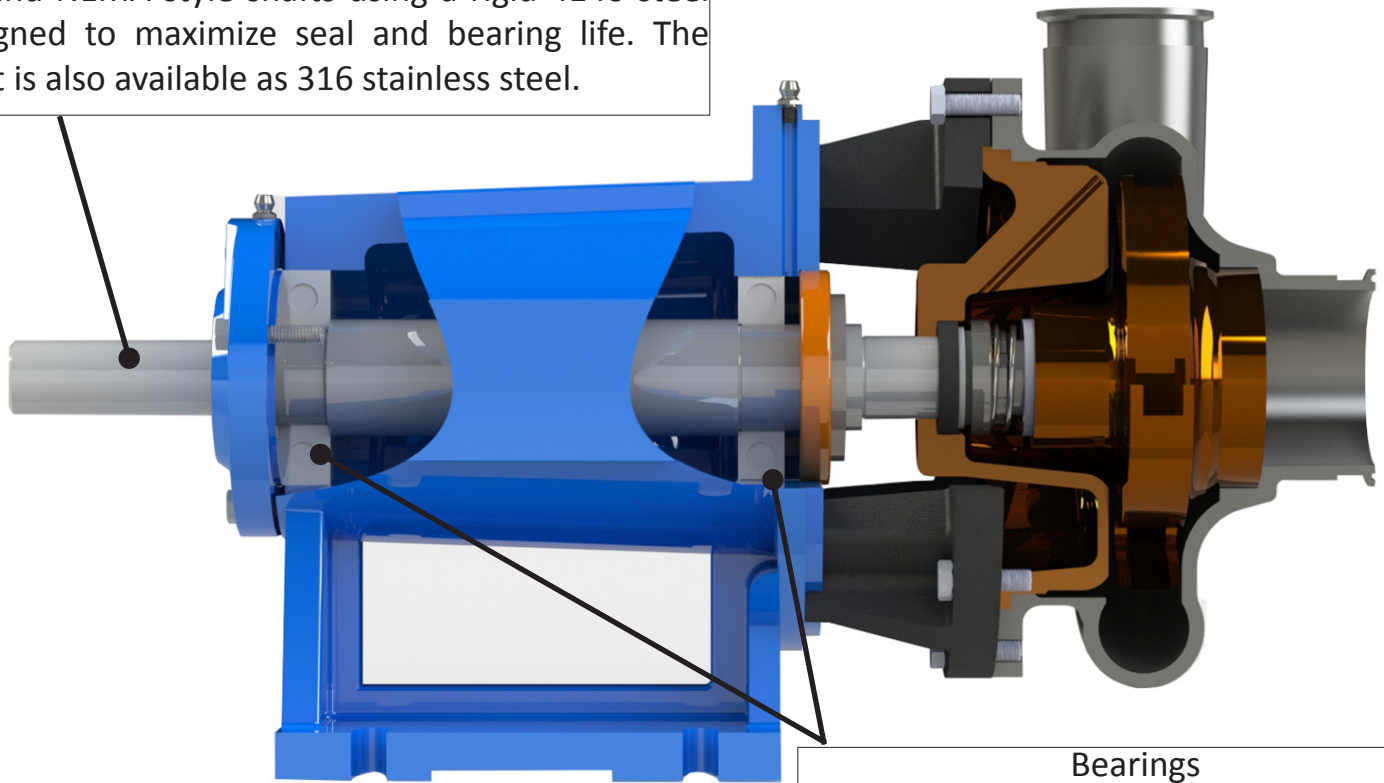
Ampco Pumps Company

Bearing Frame Pumps

Ampco Pumps offers the PE01 and PE02 Bearing Frames on which many of our industrial and sanitary pumps can be assembled onto.

Shaft

Ampco Pumps Company offers bearing frames with JM and NEMA style shafts using a rigid 4140 steel designed to maximize seal and bearing life. The shaft is also available as 316 stainless steel.



Bearings

Frame mounted pumps are built with two SKF single row deep groove regreasable ball bearings that have a minimum B-10 life of 20,000 hours.

Ampco Pumps Company
2045 W. Mill Road
Glendale, WI 53209
800-737-8671
sales@ampcopumps.com
ampcopumps.com

Ampco Pumps
Company